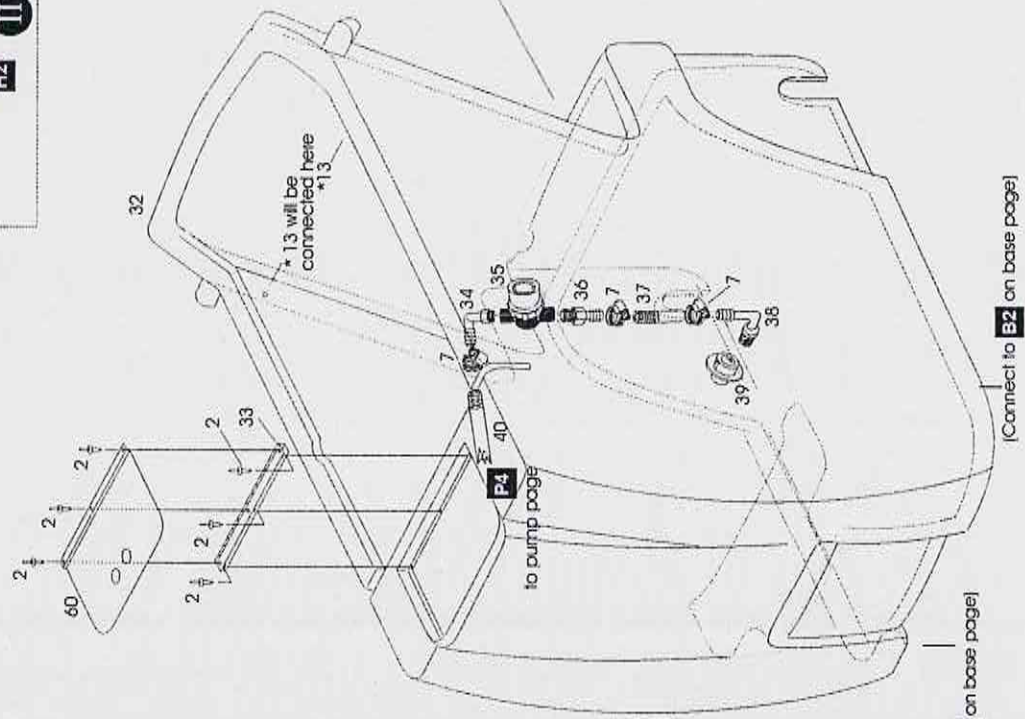
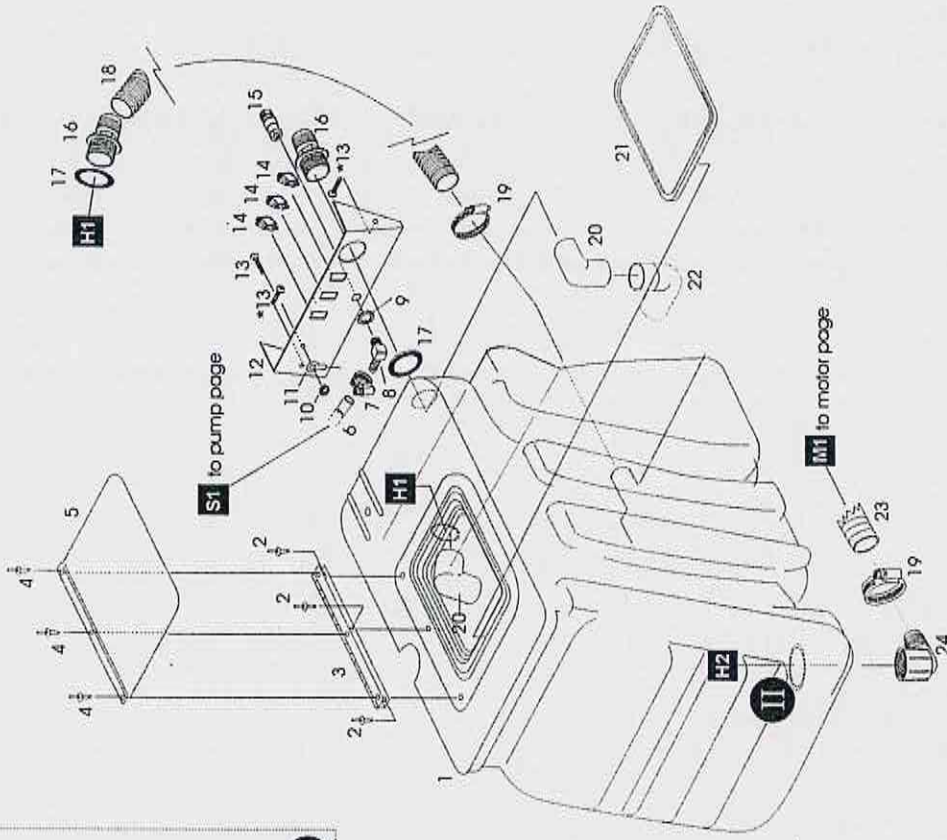
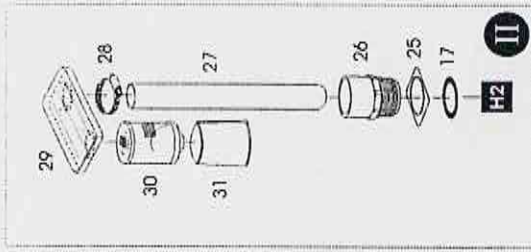


[BELAIR-2204] (100PSI)

12/17/13

BeAir

2204 Housing page
2-2 vac motors
100 psi



BELAIR 2204

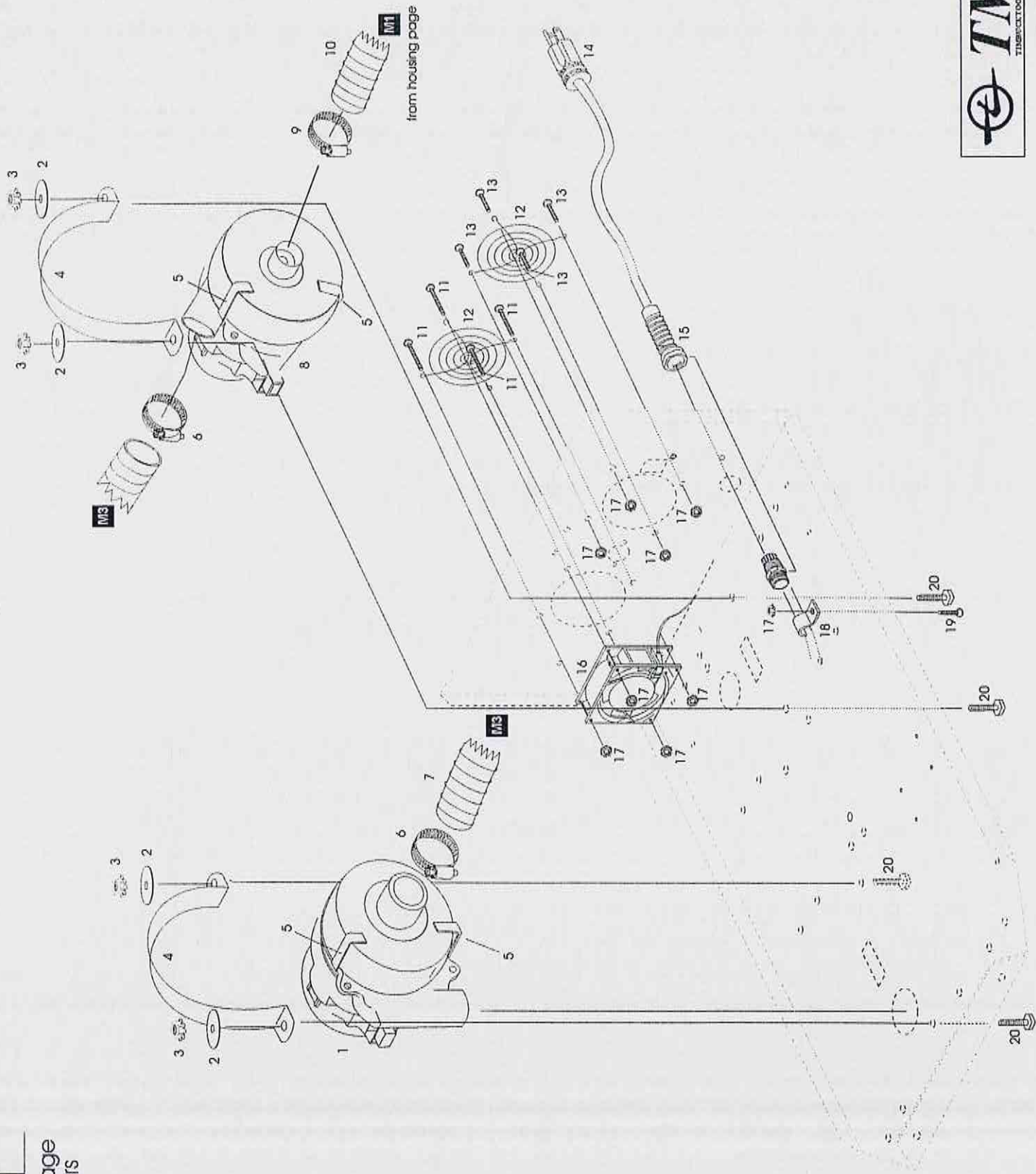
Housing Page

2-2 Vac Motors / 100psi

ITEM NO.	QUANTITY	TMI PART NO.	DESCRIPTION
1	1	TC13201691	RECOVERY TANK (GRANITE)
2	9	FR01406	S/S 4-6 RIVET
3	1	FS011080	S/S LID HINGE x 8"
4	3	FR01402	S/S 4-2 RIVET
5	1	TCMC20717	REC. TANK LID
6	1	TH3630650	3/8 SOL HOSE x 26"
7	3	ID72021	S/S LOW PROFILE CLAMP 3/4"
8	1	129HBL64	90DEG HOSE BARB 3/8x1/4
9	1	FW304802	SPACER 9/16 I.D. (BLK NUT)
10	1	FN101032	10-32 KEPS NUT
11	1	TE1805	RING CONNECTOR
12	1	TSB4001	SWITCH PLATE
13	3	FB1032108	10-32x1/2 PH. PAN HEAD ZN
14	3	TE202012	ON/OFF SWITCH
15	1	BH2-6020	1/4 FEMALE BRASS COUPLER
16	2	TB231516	1.5" HOSE BARB W/FLANGE BLK
17	3	TB231920	1.5" x 1/8" GASKET
18	1	THD150019	1.5" x 16" DRAIN TUBE 16.5"
19	2	ID57280	1/2 S/S BAND 5/16 PLT HEX HEAD 1-5/16 TO 2-1/4
20	2	TB231715	90 DEG. ELBOW 1.5" SPIGx1.5" FPT
21	1	MS35G26225	REC. TANK SEAL
22	1	TB231718	90 DEG. ELBOW 1.5" SPIG x 1.5' SOC
23	1	TVB150299-38	1-1/2" x 38" VAC HOSE WIRE BRAID VL BLACK
24	1	TB261510	1-1/2" 90DEG. HOSE BARB x 1.5 FPT
25	1	TPW20820	2-1/2" x 2" STAND PIPE BASE S/S WASHER
26	1	TB436212	REDUCING MALE ADAPTER 1-1/2MPT x 1-1-1/4SOC
27	1	PM224158	STAND PIPE 15.5"
28	1	ID67321	1/2 SS BAND,5/16" S/S HEX HEAD 1-9/16 TO 2-1/2
29	1	PM10142	BALL FLOAT DUCT ONLY
30	1	PM10144	BALL FLOAT CAGE W/BALL
31	1	PM10150	VACUUM FILTER
32	1	TC132091	SOLUTION TANK W/HANDLE(GRANITE)
33	1	FS11070	7" S/ LID HINGE
34	1	N8MEB4	90DEG. HOSE BARB 1/2 HOSE x 1/4 MPT WH NYLON
35	1	TF105010	LINE FILTER
36	1	N8MCB4	HOSE BARB 1/2 HOSE x 1/4 MPT WH NYLON
37	1	TH7160080-4.5	1/2" I.D. POL SPRING CLEAR HOSE x 4-1/2"
38	1	N8MEB6	90DEG. HOSE BARB 1/2 HOSE x 3/8 MPT WH NYLON
39	1	TST10601	3/8 FPT SPIN FITTING
40	1	THB8270000	1/2" I.D. POL SPRING CLEAR HOSE x 27"

BeAir

2204 motor page
2-2 vac motors
100 psi



04202005

BELAIR2204

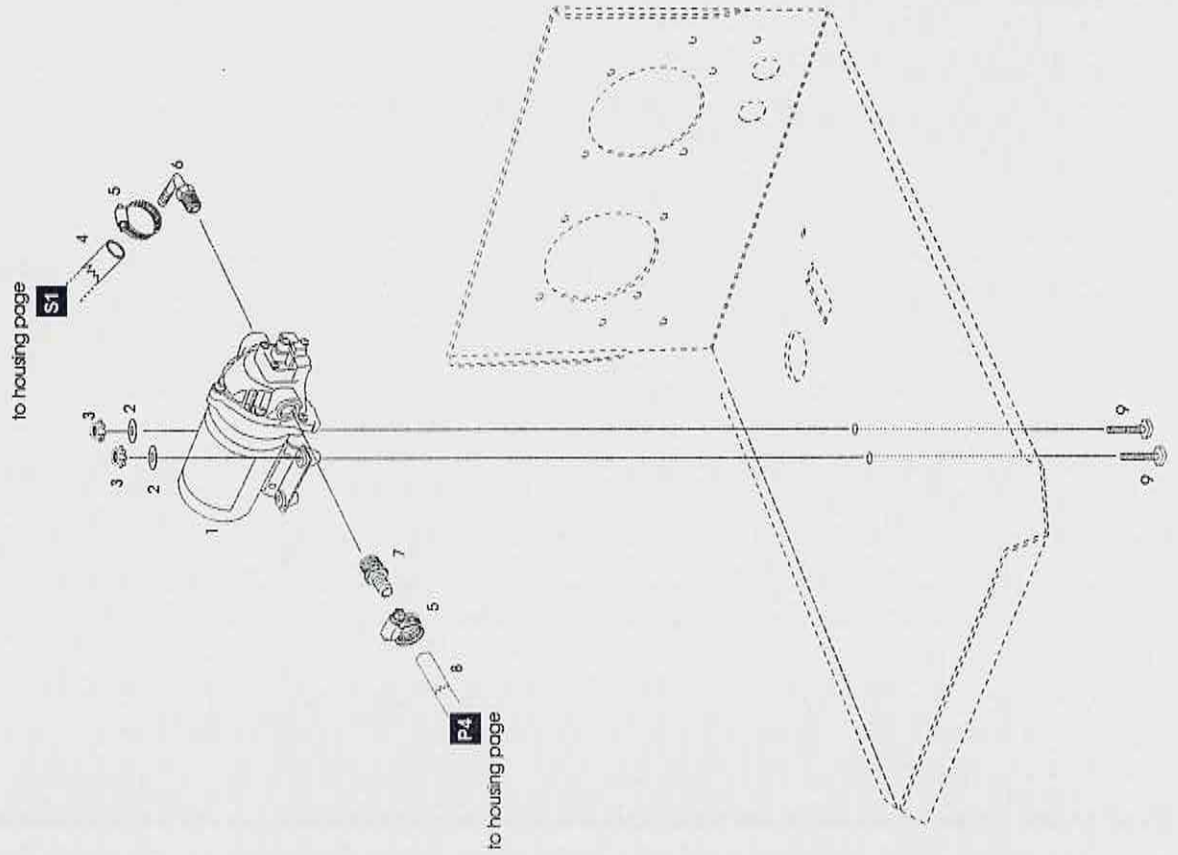
MOTOR PAGE

2-2 Vac Motors / 100psi

<u>ITEM NO.</u>	<u>QUANTITY</u>	<u>TMI PART NO.</u>	<u>DESCRIPTION</u>
1	1	11639200-A/C	120V / 5.7"STG MOTOR W/STRAIGHT ADAPTER
2	4	FW302424	1/4 x 1-1/4 ZINC FENDER WASHER
3	4	FN1020421	1/4-20 KEPS NUT
4	2	TP200111	MOTOR STRAP
5	4	TP400401	MOTOR CLAMP
6	2	ID57320	HOSE CLAMP 2-1/2"
7	1	TV200294	2" WIRE BRAIDED INTERNAL VAC HOSE 12"
8	1	11639200-C/C	120V / 5.7"STG MOTOR W/ADAPTER & CLAMPS
9	1	ID27280	HOSE CLAMP 2-1/4"
10	1	TV150299	1-1/2" WIRE BRAIDED VAC. HOSE 35"
11	4	FB032422	10-32 x 1-3/8 PH PAN HEAD S/S
12	2	TE438134	SCREEN
13	4	FB032422	10-32 x 1-3/8 PH PAN HEAD S/S
14	1	TE101230	12-3 x 25FT POWER CORD
15	1	TE101500	CORD RETAINER
16	1	TE436111	COOLING FAN
17	8	FN1021032	10-32 KEPS NUT
18	1	TP111430	3/8 C-CLAMP
19	1	FB1032112	10-32 x 3/4 PN PH SCREW
20	4	FB022416	1/4-20 x 1 HEX BOLT

BelAir

pump page
2-2 vac motors
100 psi



04202005

BELAIR2204

PUMP PAGE

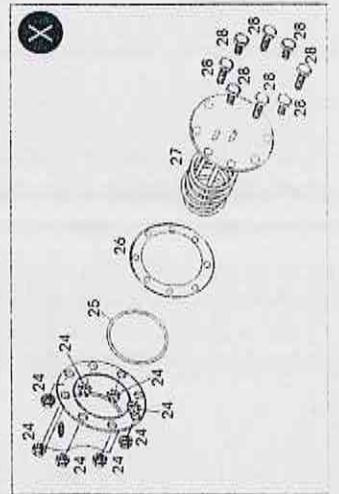
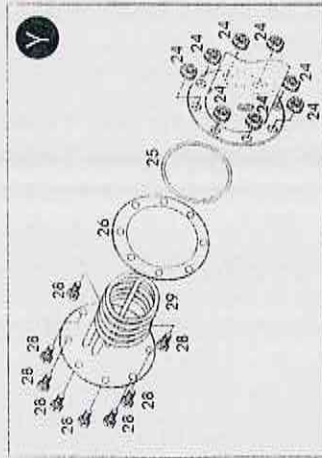
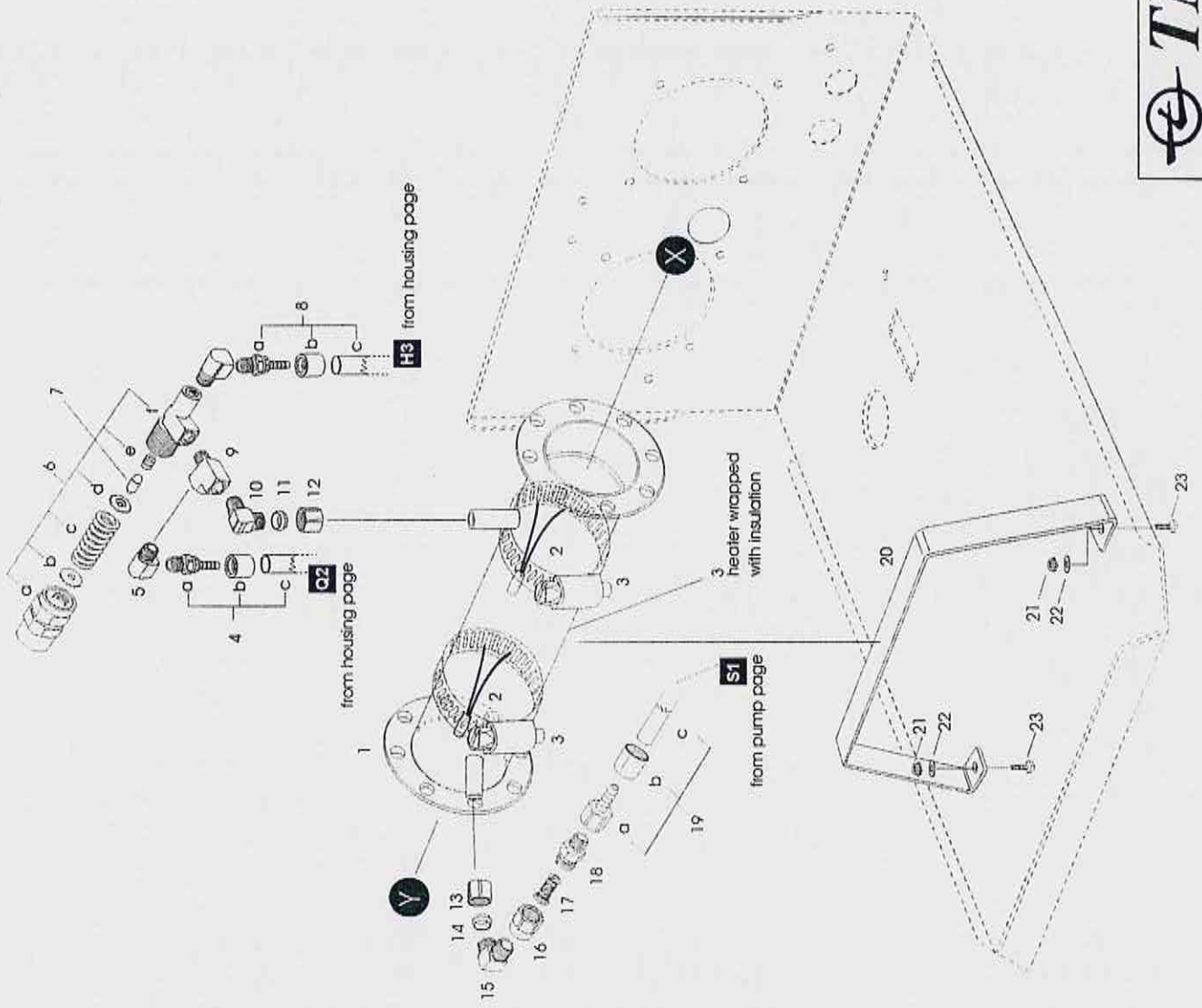
2-2 Vac Motors / 100psi

<u>ITEM NO.</u>	<u>QUANTITY</u>	<u>TMI PART NO.</u>	<u>DESCRIPTION</u>
1	1	S80812288	115V 100PSI BY PASS PUMP
2	2	FW302400	1/4 USS CUT WASHER ZINC
3	2	FN1020421	1/4 x 20 KEPS NUT
4	1	TH3630650	3/8 ID 250 WP SOL HOSE <5'>
5	2	ID57060	1/2 SS BN 3/8 TO 7/8
6	1	N6MEB6	90DEG HOSE BARB 3/8 HOSE x 1/4 MPT WH NYLON
7	1	N6MCB6	HOSE BARB 3/8 HOSE x 3/8 MPT WH NYLON
8	1	TH3630650	3/8 ID 250 WP SOL HOSE <27">
9	2	FB022424	1/4-20 x 1-1/2 HEX BOLT-ZINC

Belair

Since
1974

2204 heater page
2-2 vac motors
100 psi
H 22



BELAIR-2204

H-22HEATER

TE227051 #H-22 ELEC.TUBULAR HEATER 2x750WATTS

ITEM NO.	QUANTITY	TMI PART NO.	DESCRIPTION
1	1	TPE227050	#H-22 ELEC.TUBULAR HEATER HOUSING
2	2	TE206211	THERMO SENSOR FOR LINE HEATER 210 F MAX
3	1	TE554410-	INSULATION
4	6	ID57320	1/2 S/S BAND 5/16 PLT HEX HEAD 1-9/16 TO 2-1/2 *
5	1	66C64	COMPRESSION FITTING (TUBE X FPT) 3/8 X 1/4
6	1	1204P4	MALE ELBOW 1/4MPTx1/4MPT
7	1	2225P4	STREET TEE 1/4 F X F X MPT
8	1	2200P44	90 DEG. STREET ELBOW 1/4FPTx1/4MPT
9	1	ST230R1	REPAIR KIT FOR ST230-30
10	1	ST230-30	SAFTY VALVE 350PSI
11	1	THB4554341	SOL. HOSE ASSEM NB (3000PSI) 1/4"x55" 1/4SVMx1/4MPT
12	1	THB4204343	SOL. HOSE ASSEM NB (3000PSI) 1/4"x20" 1/4SVMx1/4SVMPT
13	1	THB8144342	SOL. HOSE ASSEM NB (3000PSI) 1/4"x14" 1/4SVMx1/4FPT
14	1	S4676	T-CAP W/1/4FPT
15	1	S11750	CHECK VALVE
16	1	CP1322	T-BODY
17	1	269C64	90 DEG. ELBOW COMP. FIT 3/8 X 1/4 MPT
18	18	TP1020421	1/4-20 KEPS NUT
19	2	MS30G580	"O" RING
20	2	TEP227057	H22 HEATER "O" RING RETAINER
21	18	FB022408	1/4 - 20 X 1/2 HEX BOLT-ZINC
22	2	TE225560	ELEC.TUBULAR HEATING ELEMENTS -TMI*(for H-4&H-22)