



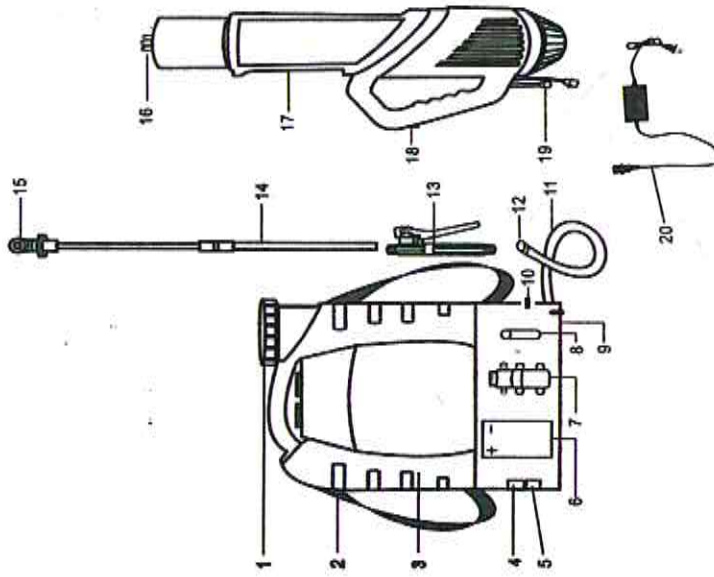
Model MS-4GBP  
Electrostatic Fogger/Sprayer



Electrostatic Turbo Fogger/Sprayer

## Replacement Parts

Magnet Spray Electrostatic Fogger/Sprayer



Ref.	Part No.	Description	Qty.	Ref.	Part No.	Description	Qty.
1	190-5001-14	Lid		11	190-5011-14	Solution hose	
2	190-5002-14	Shoulder straps		12	190-5012-14	Hose connector	
3	190-5003-14	Tank		13	190-5013-14	Handle grip with valve	
4	190-5004-14	Power on/off switch		14	190-5014-14	Telescoping wand	
5	190-5005-14	Charger socket		15	190-5015-14	Spray nozzle	
6	190-5006-14	Lithium Ion battery		16	190-5016-14	Fogger nozzles	
7	190-5007-14	Pump		17	190-5017-14	Turbo fogger	
8	190-5008-14	High voltage generator		18	190-5018-14	On/Off Switch	
9	190-5009-14	Housing		19	190-5019-14	Solution hose connector	
10	190-5010-14	Air ionization ground electrode		20	190-5020-14	Charger	

## Model MS-4GBP Battery Powered 4-Gallon



Thank you for your purchase of MagnetSpray. The enclosed battery powered electrostatic turbo fogger & sprayer is designed for disinfecting and sanitizing domestic, commercial and industrial facilities. Please read the following instructions carefully before operating. Keep these instructions in a safe place for future reference.

## IMPORTANT SAFEGAURDS

The operator must wear a face mask, eye protection and gloves while filling the tank with disinfectant and during fogging/spraying. Prior to filling the tank, be sure liquids are free of particles that may clog the nozzles. Filter the chemicals if necessary.

Follow chemical manufacturer's guidelines for mixing chemicals. If using soluble powders or liquids, mix them outside the tank in a separate container, then pour into the tank. Again, use a filter to remove any particles that may clog the nozzles.

The use of strong acids or alkaline are prohibited. All chemicals should be used in accordance with manufacturer instructions and warnings.

Avoid contact with your skin and eyes while filling. Be sure the lid is completely tight, secure and leak-proof before operation.

Avoid contact with other persons during operation.

The battery contains high voltage. Do not disassemble the sprayer due to the risk of electric shock. If you require service, contact the dealer from whom the sprayer was purchased, or contact an authorized service center.

Regarding spray wand: Do not touch telescoping rod during operation. Be sure to point the nozzle away from yourself before dispensing spray.

---

## HOW TO OPERATE FOGGER/SPRAYER

---

1. Attach the spray nozzles.



2. Attached spray collar.



3. Attach solution hose



4. Attach power cord to Turbo Fogger/Sprayer



5. Pour the appropriate disinfectant or sanitizer into the tank. If using a soluble powder or tablet, mix outside the sprayer in a separate container, then pour into the tank. Avoid spilling outside the tank or housing. If a spill occurs on the tank or housing, wipe dry immediately.

6. Tighten the lid securely to prevent any leakage.

7. Turn power on for Turbo Fogger via on/off switch located near the handle.



8. Turn power on for pump and electrostatics via on/off switch located on housing.



9. For best results use approximately a 10-foot spraying distance between the sprayer and the targeted surface.

10. Shut-down is the opposite sequence of start-up. Turn off the pump first, then turn off the turbo fogger/sprayer.

11. After spraying and emptying the tank, pour clean water into the tank, resume spraying to clean out solution hose and nozzles.

---

## WORKING PRINCIPLE

---

This sprayer is equipped with lithium-ion battery as a power source. Charged droplets pass by an electrode inside the nozzle. Negatively charged electrons are attracted to the droplets. The negatively charged droplets are carried via an air-stream toward the surface. Since the surface has a natural positive charge, the droplets are magnetically attracted to the surface. They will reverse direction and move against gravity to find an uncoated surface. This negative to positive attraction, plus droplets repelling from other droplets with the same charge, guarantees that you disinfect is applied in the most efficient, uniform manner regardless of the shape of the targeted surface.

---

## HOW TO OPERATE SPRAY WAND

---

1. Connect solution hose to spray lever/valve.



2. Connect telescoping wand to spray lever/valve.



3. Turn on power by activating the on/off switch located on housing.



4. Press or squeeze lever to activate spray.



5. For best results, use a 2-3 foot spraying distance between the sprayer and the targeted surface.

6. After spraying and emptying the tank, pour clear water into the tank, resume spraying to clean out solution hose and nozzles.

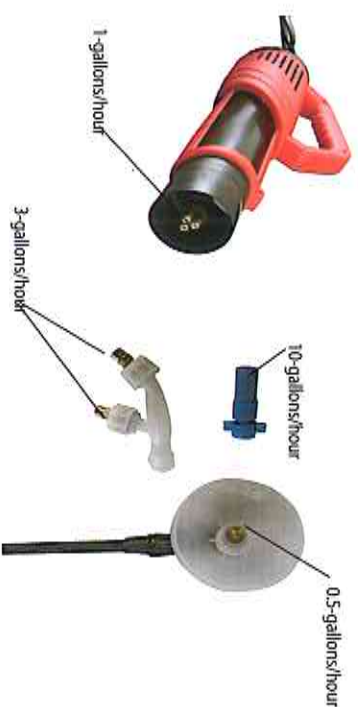
---

## CHOOSE A FLOW RATE

---

Please follow all Personal Protection Equipment (PPE) requirements, according to the Safety Data Sheet (SDS) for each chemical used with this sprayer. Follow all manufacturer instructions when mixing chemicals used with this sprayer.

**Important:** Avoid using chemicals that are corrosive to metal or plastic.



---

For Warranty, Service and Repair, please contact your distributor/reseller, or an authorized "MagnetSpray" dealer in your area.