

M-18XGH37 or H39



500 psi
2-3 vac motor
auto dump & auto pump
with heater
07012013



NOTE:

revised solution and recovery tank page (2 sets: before and after Nov12 2012)

COVER PAGE



M-18XG Heater

housing page #1 of 5

2-3 vac motor

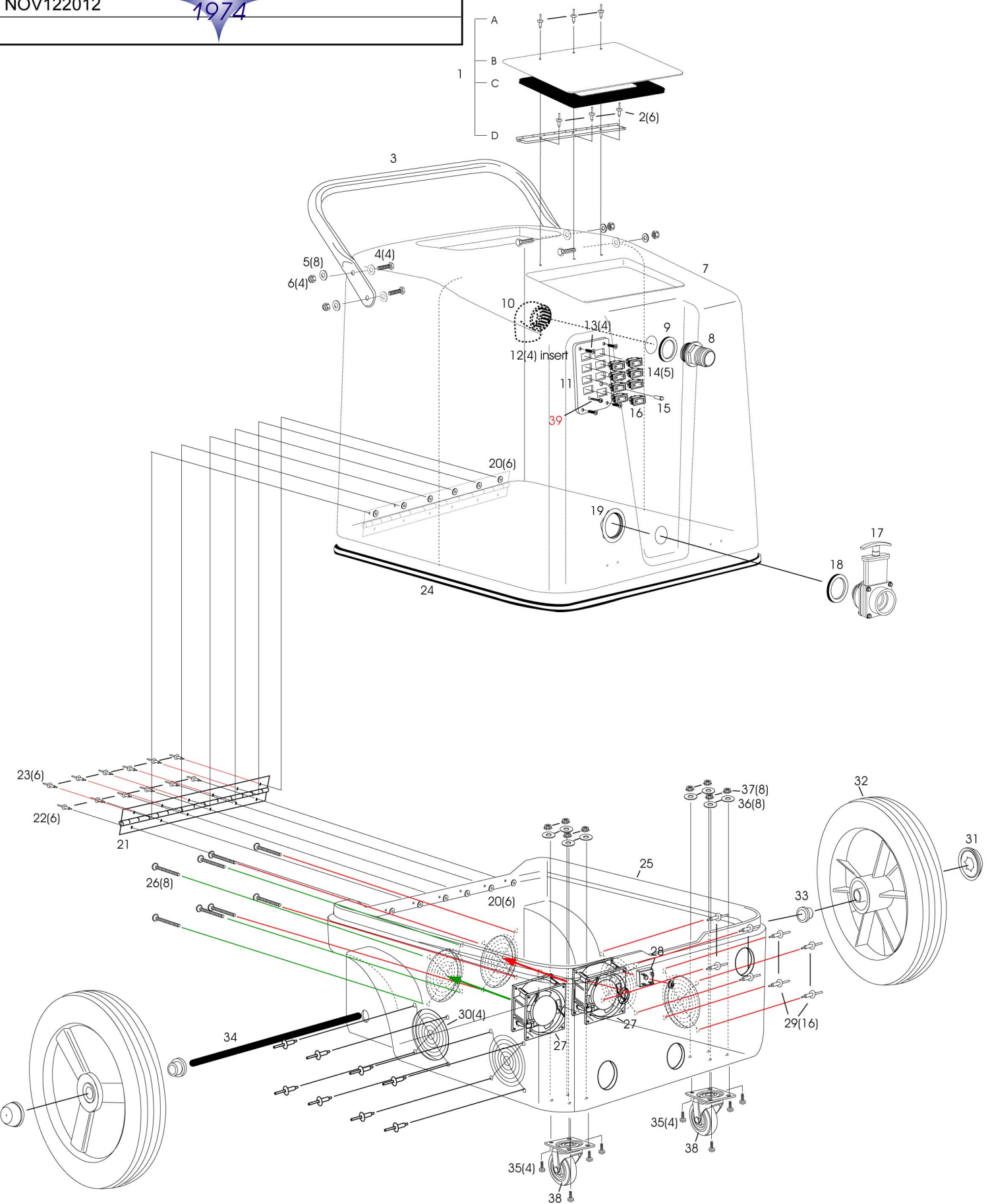
500 psi

H35 or H37 or H39

auto dump & auto pump

NOV122012

Since 1974



XPH-9650
 Housing
 500 psi
 2-3 stg vac motor
 H39 heater
 auto dump & auto pump

ITEM No.	PART No.	QTY	DESCRIPTION
1		1	
A	FR01402	1	S/S 4-2 RIVET
B	TMC20111	1	LID(S/S)COMP.STY/A 7.5"X11.5"
C	TMC00122	1	LID GASKET ONLY 6-7/8X11 -A
D	FS011080	1	S/S LID HINGE X 8"
2	FR01404	3	S/S 4-4 RIVET
3	TB101220	1	STATIONARY HANDLE#A-F,H,K,M
4	FB021416	4	1/4-20X1 HEX TAP BOLT S/S
5	FW302400	8	1/4 U.S.S. CUT WASHER ZINC
6	FN1110420	4	1/4X20 S/S NYLON LOCK NUT
7	TC1292##	1	FIBERGLASS H. #MT 18.5X22X16
8	TB231516	1	1.5"HOSE BARB W/FLANGE BLACK
9	TB231601	1	1-1/2" X 1/8 GASKET(THIN)
10	TB231715	1	90DEG.ELBOW 1.5SPIG X 1.5FPT
11	TS61213	1	SWITCH PLATE W/6SWITCHES&2 COR
12	ALS4-420	4	1/4 X 20 INSERT FOR METAL
13	FB1032008	5	10-32X1/2PH.FLAT HEAD ZN
14	TE202012	5	CV/ON-OFF ROCKER SWITCH (TMI)
15	TE210112	1	LED 2 CIRCUIT INDICATING LIGHT
16	TE202019	1	MOMEN RCKR SWCH N.O(1"X.5")
17	TB231151	1	1.5"BLACK 3PC.VALVE SPIG X MPT
18	TB231602	1	1-1/2" X 3/16GASKET(THICK)
19	TB231620	1	1-1/2LOCK NUT(JAM NUT)
20	FW302316	6	3/16 ALUM. RIVET WASHER AS6R
21	FS033160	1	ALUM. FLAT HINGE 1.5X16 #T
22	FR03608	6	AL/ST 6-8 RIVET
23	FR03606	6	AL/ST 6-6 RIVET
24	MD7415005	-	MOLDING CROM EDG/MUSTANG MODEL
25	TC1297##	1	FIBERGLASS H. #MB 9X21-3/4X16
26	FB1032112	8	10-32X3/4 PH. PAN HEAD ZN
27	TE436111	2	COOLING FAN 120V 3.5"
28	TE620350	1	RECTIFIER 35 AMP (PW & FM)
29	FR03604	16	AL/ST 6-4 RIVET
30	TE436334	6	COOLING FAN SCREEN
31	FS07108	2	1/2" AXLE (ROD) END CAP
32	WC161094	2	10X1.75X1/2"NONMARKIWHEEL80CAB
33	FW340816	2	1/2"ID.X1" SPACER(AXEL SPACER)
34	FS05081908	1	AXLE(ROD)1/2"X19-1/2" (R)
35	FB022412	8	1/4-20X3/4 HEX TAP BOLT-ZINC
36	FW302300	8	1/4 S/S U.S.S. CUT WASHER
37	FN1020421	8	1/4X20 KEPS NUT
38	WC120264	2	4"X1" NON MARKING SWIVEL CASTE
39	FB1032108	1	10-32X1/2PH.PAN HEAD ZN



M-18XG Heater housing page #2 of 5

2-3 vac motor

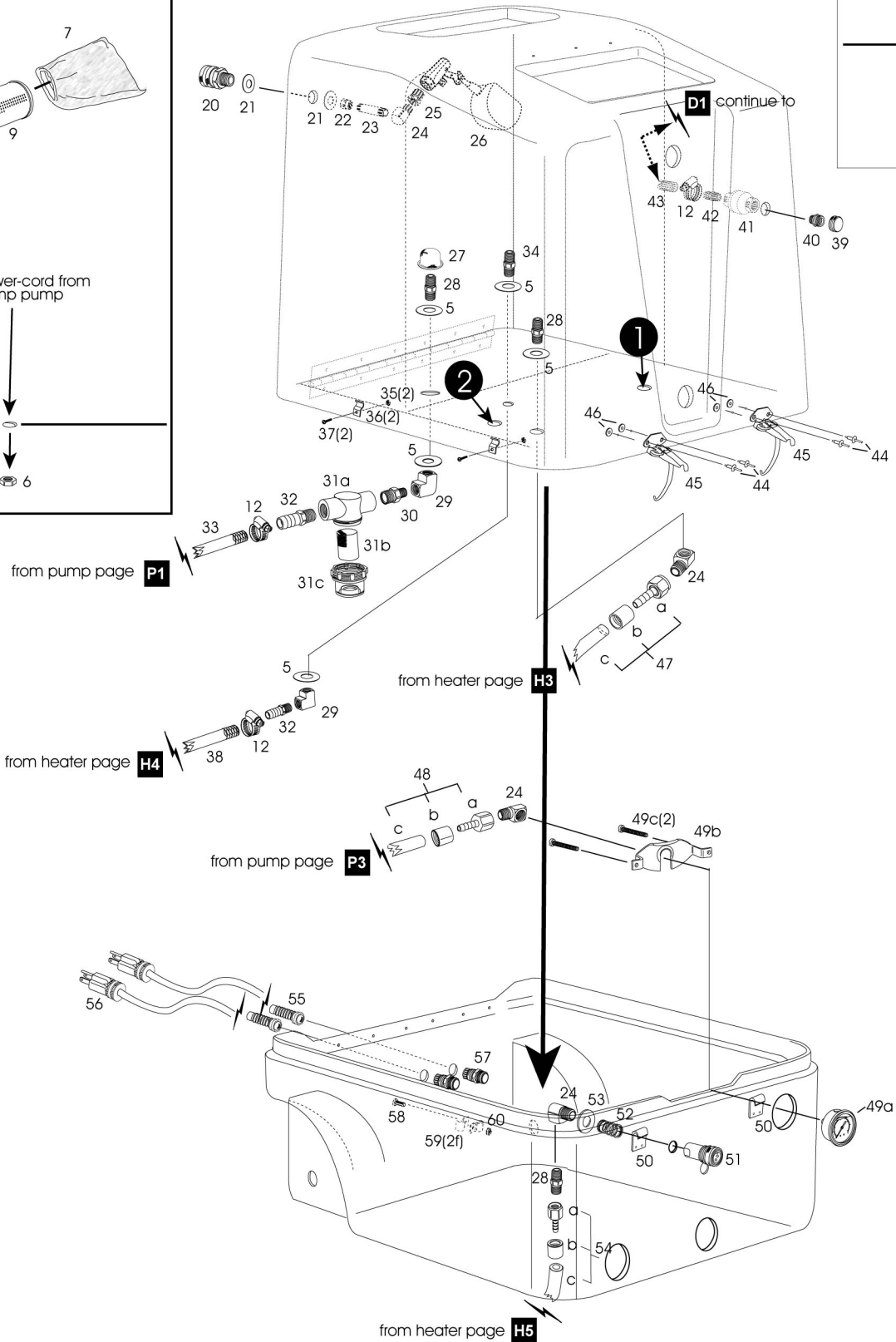
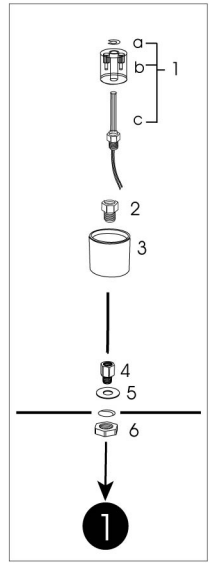
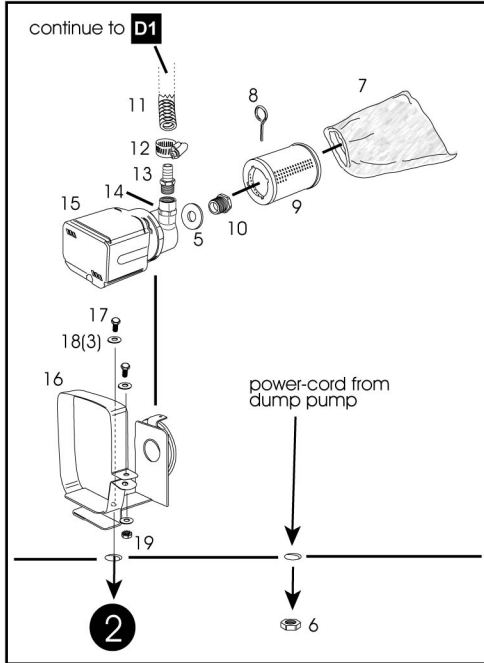
500 psi

H35 or H37 or H39

auto dump & auto pump

Since 1974

before NOV122012



XPH-9650
 Housing
 500 psi
 2-3 vac motor
 H39
 Auto dump & auto pump

ITEM No.	PART No.	QTY	DESCRIPTION
1	TE205314	1	LEVEL SWITCH-K
	TE205316	1	LEVEL SWITCH CLIP
	TE205315	1	LEVEL SWITCH FLOAT
	TE205317	1	LEVEL SWITCH STEM
2	209P42	1	BUSHING 1/4 X 1/8
3	TP410101	1	LEVEL SWITCH PROTECTOR TOP
4	222P44	1	ADAPTER 1/4MPTX1/4FPT
5	FW302400	7	1/4 U.S.S. CUT WASHER ZINC
6	210P4	2	LOCK NUT 1/4 FPT
7	PM10150	1	VACUUM FILTER(BALL-FLOAT)
8	TP442540	1	PIN FOR AUTODUMP FILTER
9	PM10144	1	BALL FLOAT CAGE W/BALL (9G18)
10	2202P46	1	90 DEG.ST.ELBOW 3/8MPT X 1/4FP
11	TH7160100-36	-	5/8"I.D. POL. SPRING CLEAR HOS (36")
12	ID62020	4	5/16 S/SBAND 1/4HEX HD.1/4-5/8
13	P12MCB8	2	HOSE BARB 3/4x1/2MPT POLY
14	207P-8	1	COUPLING 1/2X1/2 FPT TO FPT
15	3EN503105	1	AUTO DUMP(ENG301200) W/BACKET
16	TP320042	1	AUTO DUMP PUMP BRACKET
17	FB021416	2	1/4-20X1 HEX TAP BOLT S/S
18	FW302424	3	1/4X1-1/4 ZINC FENDER WASHER
19	FN1010421	1	1/4X20 S/S KEPS NUT
20	BST-3M00	1	HIGH FLOW COUPLER 3/8 MPT*
21	FW3010306	2	3/16 X 3/4 S/S WASHER
22	208P64	1	REDUCER COUPLING 3/8FX1/4FPT
23	215PNL435	1	LONG NIPPLE 1/4 X 3-1/2
24	2202P44	3	90DEG.STREET ELBOW 1/4MPTX1/4F
25	209P84	1	BUSHING 1/2 X 1/4
26	ST8001	1	FLOAT ONLY FOR ST8000 VALVE
27	TF101050	1	FILTER SCREEN S/S 50MESH 1/4FT
28	215PN4	1	CLOSE NIPPLE 1/4
29	2200P44	2	90DEG.ELBOW 1/4FPT X 1/4FPT
30	216P64	1	REDUCER 3/8X1/4
31	TF105110	1	LINE FILTER 1/4"FPT MID SIZE
32	125HBL84	1	HOSE BARB1/2 HOSEX 1/4 MPT
33	TH3630810-12	-	1/2"I.Dx5/8"O.D VINYL CLEAR (12")
34	2214P44	2	45DEG.ST.ELBOW 1/4MPTX1/4FPT
35	FN1021032	2	10X32 KEPS NUT ZINC
36	TP111430	2	3/8 AXLE HOLDER/PWR CORD HLDR
37	FB1032112	2	10-32X3/4 PH. PAN HEAD ZN
38	TH7160080-36	-	1/2"I.D. POL.SPRING CLEAR HOSE (36")
39	96GH12	1	HOSE CAP NUT 3/4
40	70GH128	1	MALE GARDEN HOSE3/4X1/2 MPT
41	S1400100	1	CHECK VALVE FOR DUMP SYSTEM

42	2202P88	1	90 DEG. ST.ELBOW 1/2FPTX1/2FPT
43	125HBL128	1	HOSE BARB 3/4 HOSEX 1/2 MPT
44	FR03606	4	AL/ST 6-6 RIVET
45	FS05015	2	DRAW LATCH
46	FW302316	4	3/16 ALUM. RIVET WASHER AS6R
47	PFN204204	1	1/4HOSE X 1/4MPT SWIVEL MALE S
	B PFN504500	1	1/4 HOSE FERRULE
	C TH6400450	-	1/4" BLUE NEPTUNE 3000
48	PFN204906	1	3/8HOSEX3/8MPT SOLID FEM STEM*
	B PFN506500	1	3/8 HOSE FERRULE
	C TH6400650	-	3/8 BLUE NEPTUNE HOSE 3000
49	GA101000	1	PRESSURE GAUGE 0-1000 PSI. 2"*
	B TP110451	1	PRESSURE GAUGE BRACKET
	C FB1032112	2	10-32X3/4 PH. PAN HEAD ZN
50	FS05215	2	BASE PLATE.FOR DRAW LATCH(s/s)
51	BH2-6020	1	BRASS COUPLER 1/4"FPT -FST
52	FS091624	1	Q.C. MOUNTING SPRING
53	FW609203	1	9/16"IDx1.25"ODx0.09"AL WASHER
54	PFN204204		1/4HOSE X 1/4MPT SWIVEL MALE S
	B PFN504500	1	1/4 HOSE FERRULE
	C TH6400450	-	1/4" BLUE NEPTUNE 3000 (22")
55	TE101500	2	CORD RETAINER (COMPLETE)
56	TE101143	2	14-3SJTW-A POW.CORDX25'W/15M.P
57	TE101510	2	CORD GROMMET
58	FB1032116	1	10-32X1 PH.PAN HEAD ZN
59	TP111430	2	3/8 AXLE HOLDER/PWR CORD HLDR
60	FN1021032	1	10X32 KEPS NUT ZINC



M-18XG Heater housing page #2 of 5

2-3 vac motor

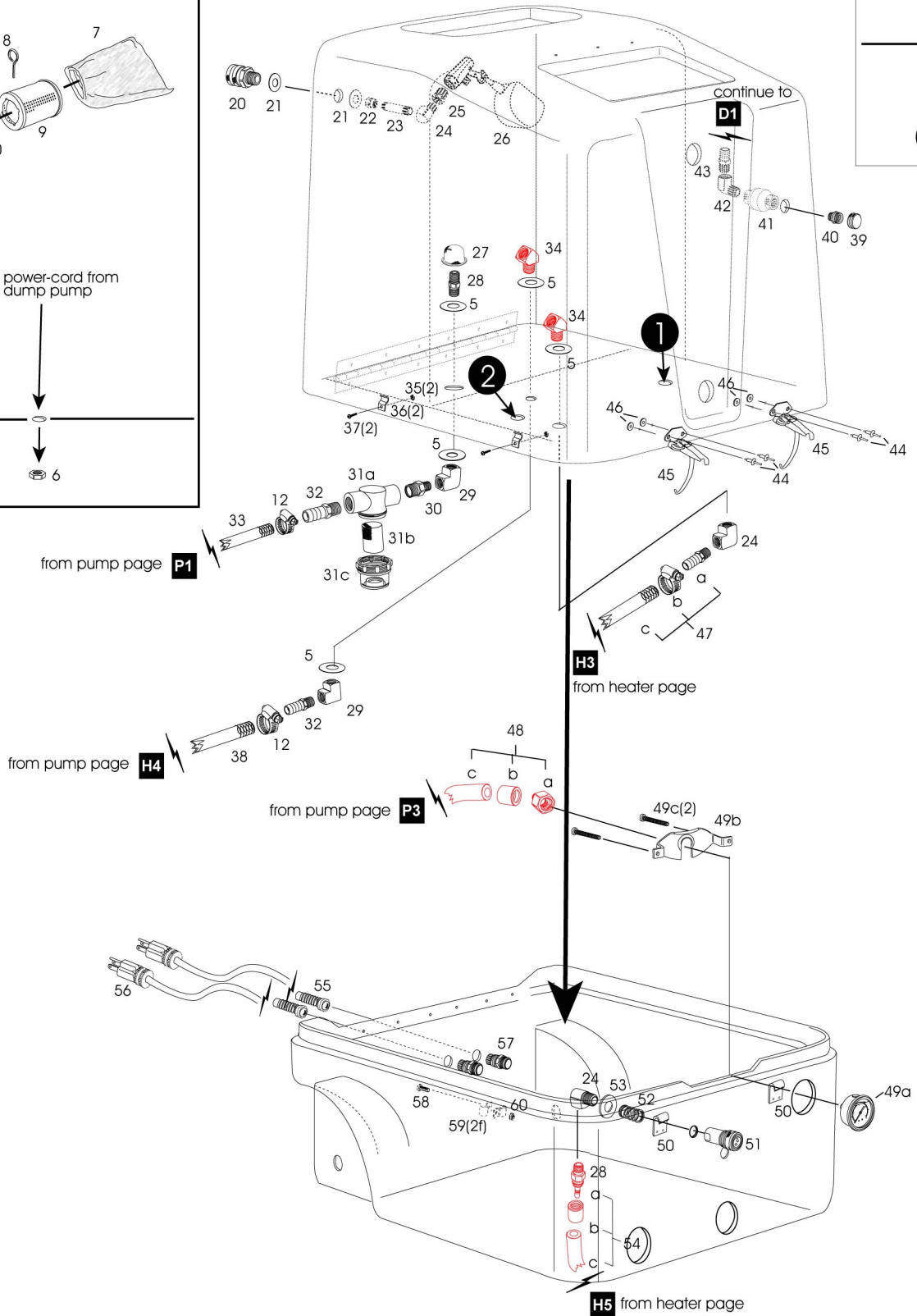
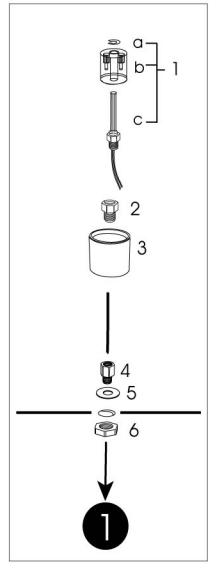
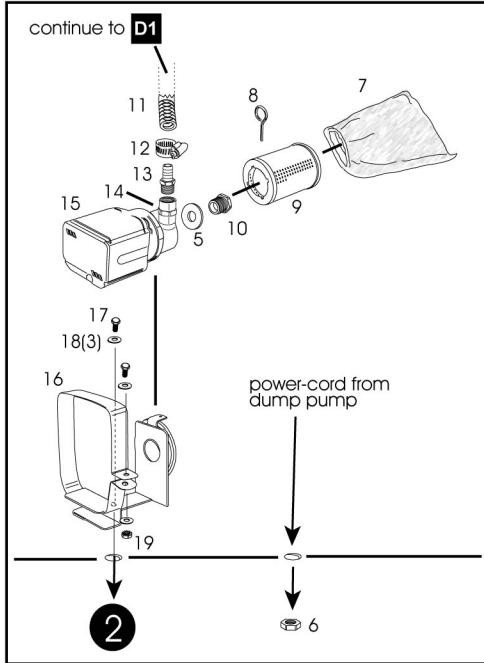
500 psi

H35 or H37 or H39

auto dump & auto pump

Since 1974


after NOV122012

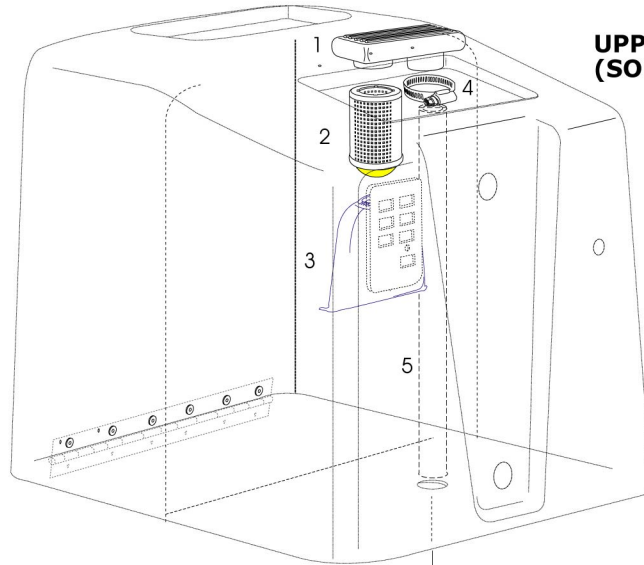


XPH-9650
 Housing
 500 psi
 2-3 vac motor
 H39
 Auto dump & auto pump

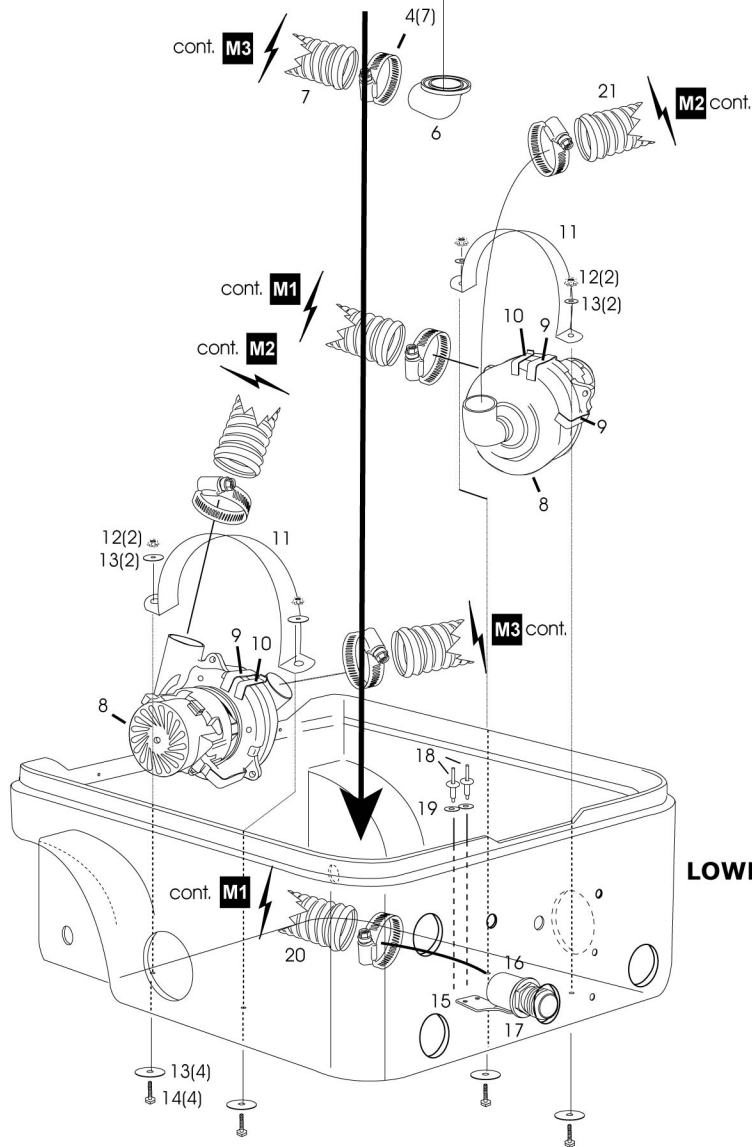
ITEM No.	PART No.	QTY	DESCRIPTION
1	TE205314	1	LEVEL SWITCH-K
	TE205316	1	LEVEL SWITCH CLIP
	TE205315	1	LEVEL SWITCH FLOAT
	TE205317	1	LEVEL SWITCH STEM
2	209P42	1	BUSHING 1/4 X 1/8
3	TP410101	1	LEVEL SWITCH PROTECTOR TOP
4	222P44	1	ADAPTER 1/4MPTX1/4FPT
5	FW302400	7	1/4 U.S.S. CUT WASHER ZINC
6	210P4	2	LOCK NUT 1/4 FPT
7	PM10150	1	VACUUM FILTER(BALL-FLOAT)
8	TP442540	1	PIN FOR AUTODUMP FILTER
9	PM10144	1	BALL FLOAT CAGE W/BALL (9G18)
10	2202P46	1	90 DEG.ST.ELBOW 3/8MPT X 1/4FP
11	TH7160100-36	-	5/8" I.D. POL. SPRING CLEAR HOS (36")
12	ID62020	4	5/16 S/SBAND 1/4HEX HD.1/4-5/8
13	P12MCB8	2	HOSE BARB 3/4x1/2MPT POLY
14	TB43005	1	1/2" FEMALE ADAPTOR
15	3EN503105	1	AUTO DUMP(ENG301200) W/BRACKET
16	TP320042	1	AUTO DUMP PUMP BRACKET
17	FB021416	2	1/4-20X1 HEX TAP BOLT S/S
18	FW302424	3	1/4X1-1/4 ZINC FENDER WASHER
19	FN1010421	1	1/4X20 S/S KEPS NUT
20	BST-3M00	1	HIGH FLOW COUPLER 3/8 MPT*
21	FW3010306	2	3/16 X 3/4 S/S WASHER
22	208P64	1	REDUCER COUPLING 3/8FX1/4FPT
23	215PNL435	1	LONG NIPPLE 1/4 X 3-1/2
24	2202P44	3	90DEG.STREET ELBOW 1/4MPTX1/4F
25	209P84	1	BUSHING 1/2 X 1/4
26	ST8001	1	FLOAT ONLY FOR ST8000 VALVE
27	TF101050	1	FILTER SCREEN S/S 50MESH 1/4FT
28	215PN4	1	CLOSE NIPPLE 1/4
29	2200P44	2	90DEG.ELBOW 1/4FPT X 1/4FPT
30	216P64	1	REDUCER 3/8X1/4
31	TF105110	1	LINE FILTER 1/4"FPT MID SIZE
32	125HBL84	1	HOSE BARB1/2 HOSEX 1/4 MPT
33	TH3630810-12	-	1/2" I.Dx5/8" O.D VINYL CLEAR (12")
34	2214P44	2	45DEG.ST.ELBOW 1/4MPTX1/4FPT
35	FN1021032	2	10X32 KEPS NUT ZINC
36	TP111430	2	3/8 AXLE HOLDER/PWR CORD HLDR
37	FB1032112	2	10-32X3/4 PH. PAN HEAD ZN
38	TH7160080-36	-	1/2" I.D. POL. SPRING CLEAR HOSE (36")
39	96GH12	1	HOSE CAP NUT 3/4
40	70GH128	1	MALE GARDEN HOSE3/4X1/2 MPT
41	S1400100	1	CHECK VALVE FOR DUMP SYSTEM

42	P12MCB8	1	HOSE BARB 3/4x1/2MPT POLY
43	P8MCB8	1	HOSE BARB 1/2MPTx1/2HB BLK NYL
44	FR03606	4	AL/ST 6-6 RIVET
45	FS05015	2	DRAW LATCH
46	FW302316	4	3/16 ALUM. RIVET WASHER AS6R
47	PFN204204	1	1/4HOSE X 1/4MPT SWIVEL MALE S
	B PFN504500	1	1/4 HOSE FERRULE
	C TH6400450	-	1/4" BLUE NEPTUNE 3000
48	PFN204906	1	3/8HOSEX3/8MPT SOLID FEM STEM*
	B PFN506500	1	3/8 HOSE FERRULE
	C TH6400650	-	3/8 BLUE NEPTUNE HOSE 3000
49	GA101000	1	PRESSURE GAUGE 0-1000 PSI. 2"*
	B TP110451	1	PRESSURE GAUGE BRACKET
	C FB1032112	2	10-32X3/4 PH. PAN HEAD ZN
50	FS05215	2	BASE PLATE.FOR DRAW LATCH(s/s)
51	BH2-6020	1	BRASS COUPLER 1/4"FPT -FST
52	FS091624	1	Q.C. MOUNTING SPRING
53	FW609203	1	9/16"IDx1.25"ODx0.09"AL WASHER
54	PFN204204		1/4HOSE X 1/4MPT SWIVEL MALE S
	B PFN504500	1	1/4 HOSE FERRULE
	C TH6400450	-	1/4" BLUE NEPTUNE 3000 (22")
55	TE101500	2	CORD RETAINER (COMPLETE)
56	TE101143	2	14-3SJTW-A POW.CORDX25'W/15M.P
57	TE101510	2	CORD GROMMET
58	FB1032116	1	10-32X1 PH.PAN HEAD ZN
59	TP111430	2	3/8 AXLE HOLDER/PWR CORD HLDR
60	FN1021032	1	10X32 KEPS NUT ZINC

 TMI <small>TIMBUCKTOO MFG., INC.</small>	M-18XGHeater
	motor page/5
2-3 vac motor	500 psi
H35 or H37 or H39	auto dump & auto pump
NOV122012	Since 1974




**UPPER HOUSING
(SOLUTION AND RECOVERY TANK)**

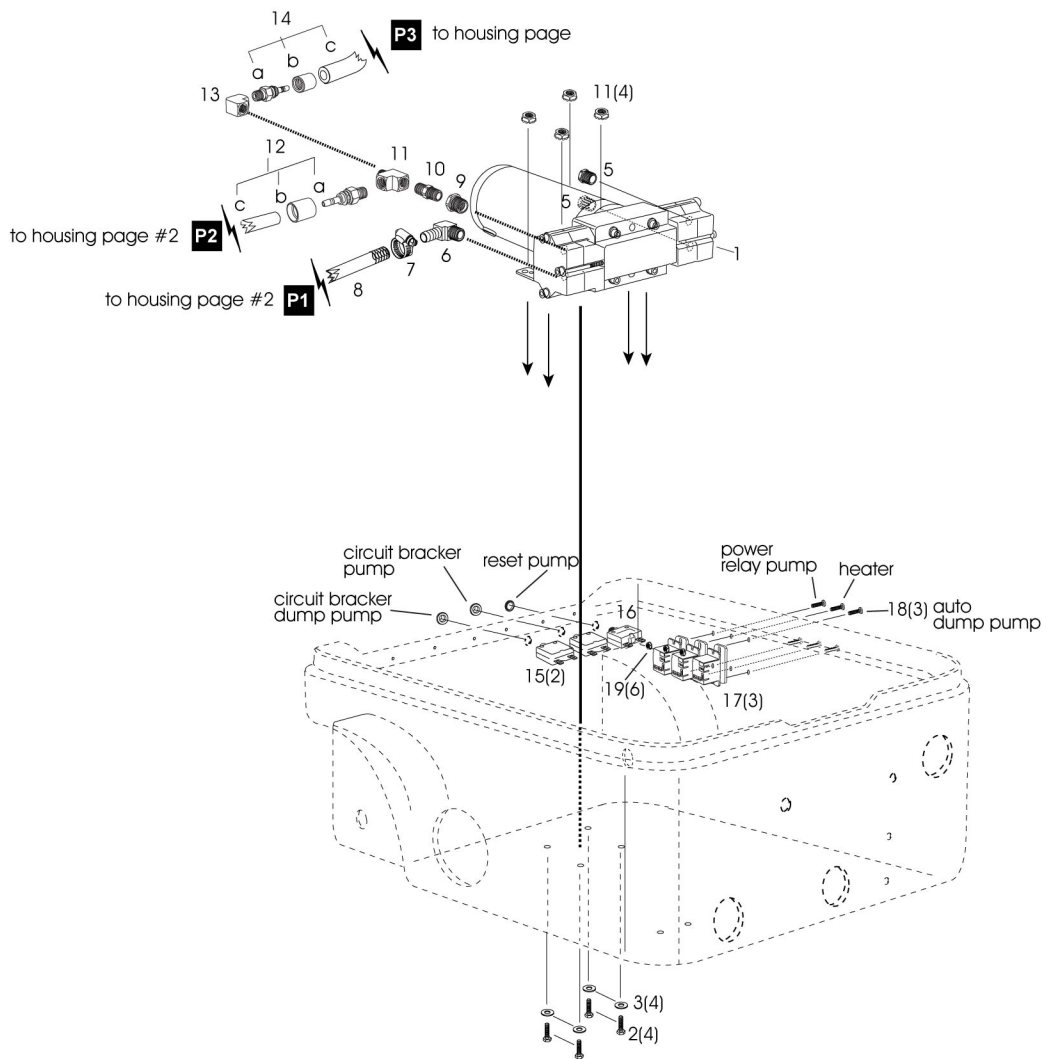


LOWER HOUSING (BASE)

XPH-9650
 Motor
 2-3 vac
 500 psi
 H35 or H37


ITEM No.	PART No.	QTY	DESCRIPTION
1	PM10142	1	BALL FLOAT DUCT ONLY
2	PM10144	1	BALL FLOAT CAGE W/BALL (9G18)
3	PM10150	1	VACUUM FILTER(BALL-FLOAT)
4	ID57320	7	1/2 SS BN,PLT, 1-9/16 TO 2-1/2
5	PM2320164	1	STAND PIPE 2"O.D.#G (16-1/2")
6	TB231720	1	2"90DEG.FLANGED ADAPTER
7	TV200294-36	-	2"WIRE BRA.INTERN.VAC.HOSE GRA (3ft)
8	11676500-B/C	1	5.7" 3STG VAC W/90 DEG.ADP INS
9	TP400401	4	MOTOR CLAMP 5.7-2 STAGE MOTOR
10	TP400405	2	VAC STRAP GUARD
11	TP204110	2	MOTOR STRAP W/C-CLAMPFOR5.7"MT
12	FN1020421	4	1/4X20 KEPS NUT
13	FW302424	8	1/4X1-1/4 ZINC FENDER WASHER
14	FB022416	4	1/4-20X1 HEX TAP BOLT-ZINC
15	TP110411	1	EXHAUST BRACKET
16	TB2320120	1	WHITE TUBE 2" O.D. 10 FEET
17	TB231516	1	1.5"HOSE BARB W/FLANGE BLACK
18	FR03604	2	AL/ST 6-4 RIVET
19	FW312101	2	10 EXT. LOCK TOOTH WASHER
20	TV200294-20	-	2"WIRE BRA.INTERN.VAC.HOSE GRA (20")
21	TV200294-20	-	2"WIRE BRA.INTERN.VAC.HOSE GRA (20")

	M-18XGHeater
	pump page/5
2-3 vac motor	500 psi
H35 or H37 or H39	auto dump & auto pump
NOV122012	Since 1974

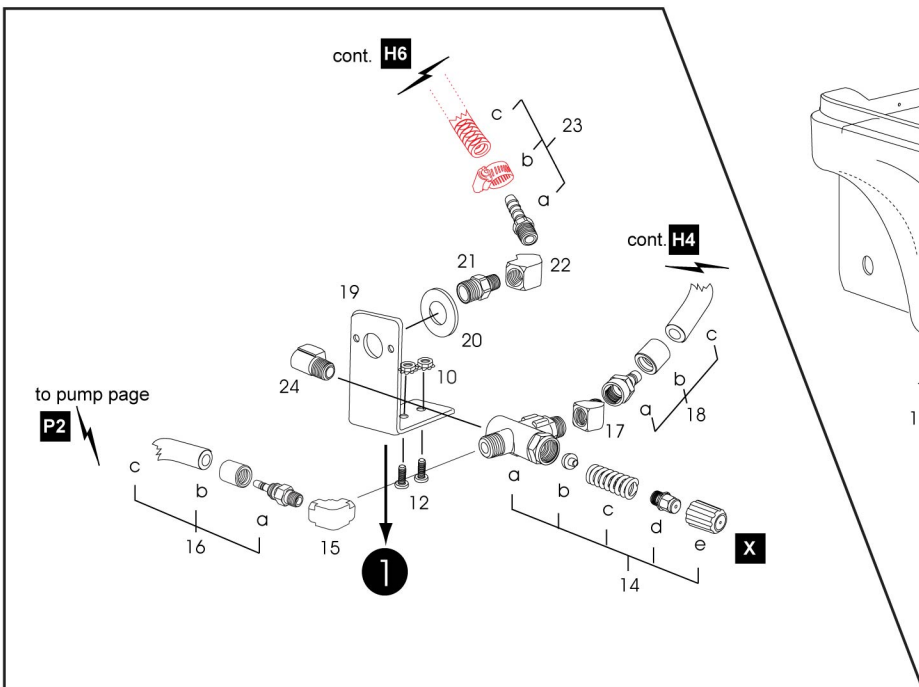
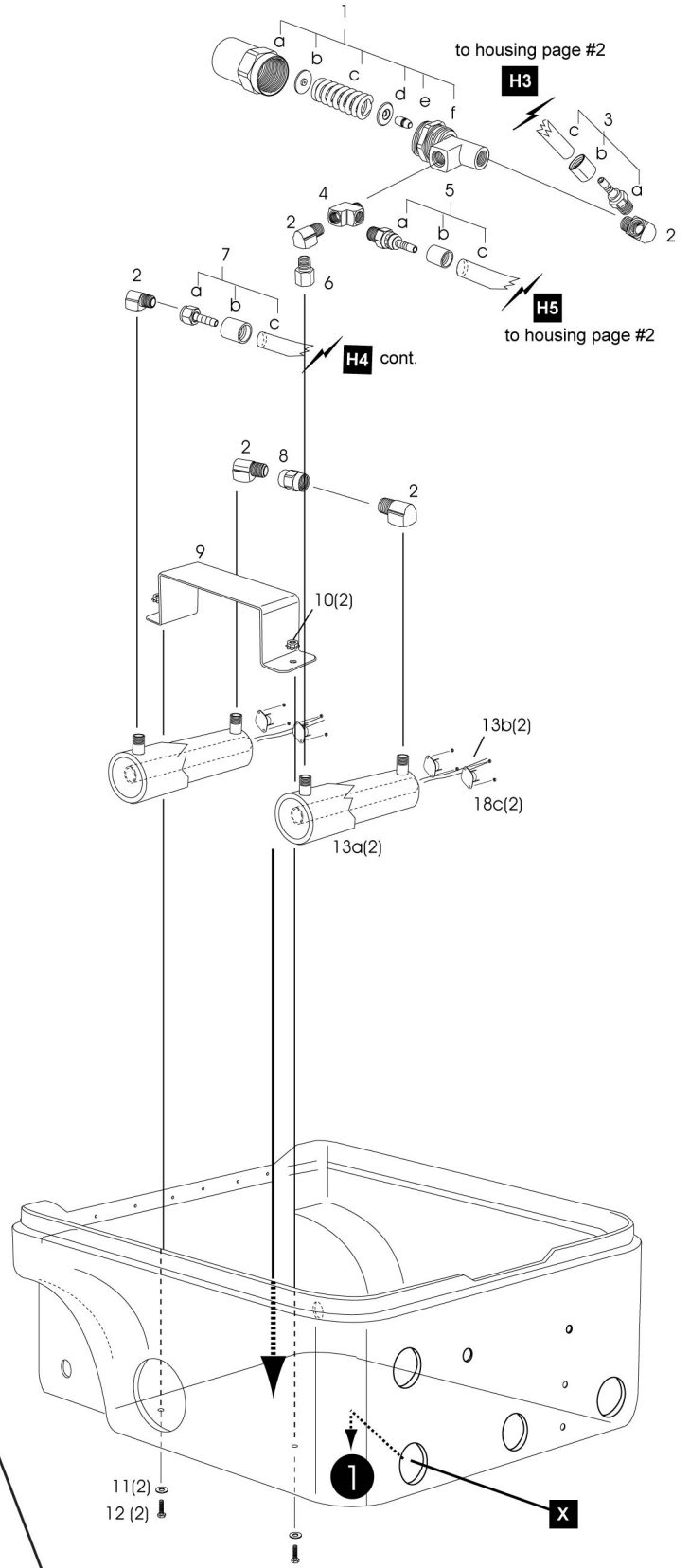


XPH-9650
 Pump
 2-3 vac
 500 psi
 H35 or H37 or H39

ITEM No.	PART No.	QTY	DESCRIPTION
1	PT207-DC2	1	500 PSI MAX. PUMP
2	FB022416	4	1/4-20X1 HEX TAP BOLT-ZINC
3	FW3010420	4	1/4X1-1/4 S/S FENDER WASHER
4	FN1020421	4	1/4X20 KEPS NUT
5	218P6	2	HEX PLUG 3/8
6	129HB86	1	90DEG[HS BAR.HS XMPT] 1/2X3/8
7	ID57060	1	H.C. 1/2 SS BN,PLT,3/8TO7/8
8	TH3630810	-	1/2" I.Dx5/8" O.D VINYL CLEAR
9	209P64	1	BUSHING 3/8 X 1/4
10	216P4	1	HEX CLOSE NIPPLE 1/4"
11	2225P4	1	STREET TEE 1/4F X F X MPT
12	PFN204204	1	1/4HOSE X 1/4MPT SWIVEL MALE S
B	PFN506500	1	3/8 HOSE FERRULE
C	TH6400650	-	3/8 BLUE NEPTUNE HOSE 3000
13	2200P44	1	90DEG.ELBOW 1/4FPT X 1/4FPT
14	PFN204204	1	1/4HOSE X 1/4MPT SWIVEL MALE S
B	PFN506500	1	3/8 HOSE FERRULE
C	TH3375500	-	PULSE HOSE/FT
15	TE625250	2	0.5 AMP CIRCUIT BRAKER
16	TE621458	1	4 AMP CIRCUIT BRAKER ETA
17	TE205217	3	POWER RELAY CIT 120V/60HZ 30A
18	FB1032112	6	10-32X3/4 PH. PAN HEAD ZN
19	FN1021032	6	10X32 KEPS NUT ZINC

 TMI <small>TIMBUCKTOO MFG., INC.</small>	M-18XGHeater
	heater page/5
2-3 vac motor	500 psi
H35 or H37 or H39	auto dump & auto pump
NOV122012	Since 1974

NOTE:
 21a to 21d (heat element)
 could be 750W or 1000W
 (see label on the heater unit)



XPH-9650
 Heater
 2-3 vac Motor
 500 psi
 H35 or H37 or H39

ITEM No.	PART No.	QTY	DESCRIPTION
1	ST230-300	1	PSI REGULATOR FOR 3000 PSI
2	2202P44	5	90DEG.STREET ELBOW 1/4MPTX1/4F
3	PFN204104	1	1/4HOSE X 1/4MPT SOLID MALE ST
B	PFN504500	1	1/4 HOSE FERRULE
C	TH6400450-23	-	1/4" BLUE NEPTUNE 3000 (23")
4	2225P4	1	STREET TEE 1/4F X F X MPT
5	PFN204204	1	1/4HOSE X 1/4MPT SWIVEL MALE S
B	PFN504500	1	1/4 HOSE FERRULE
C	TH6400450-22	-	1/4" BLUE NEPTUNE 3000 (22")
6	222P44	1	ADAPTER 1/4MPTX1/4FPT
7	PFN506500	1	3/8 HOSE FERRULE
B	PFN206204	1	3/8HOSE X 1/4MPT SWVL MALE STE
C	TH6400650-25	-	3/8 BLUE NEPTUNE HOSE 3000 (25")
8	207P-4	1	COUPLING 1/4X1/4 FPT TO FPT
9	TPE227170	1	M & W H39 HEATER BRACKET
10	FN1020421	4	1/4X20 KEPS NUT
11	FW3010420	2	1/4X1-1/4 S/S FENDER WASHER
12	FB14200116	4	1/4-20 X 1 PH PAN ZN
13	H39	2	2000 WATTS (2ea 1000) HEATERS
A	TE22800	2	TUBE HEATER HOUSING W/INSULATI
B	TE206212	2	THERMO DISK SENSOR 210F
C	TE228100	2	HEATING ROD 1000 WATTS
14	MV520-50	1	UNLOADER VALVE, 3.5 GPM, 500 P
15	2200P66	1	90DEG.ELBOW 3/8FPTX3/8FPT
16	PFN206106	1	3/8HOSE X 3/8MPT SOLID MAL STE
B	PFN506500	1	3/8 HOSE FERRULE
C	TH6400650-20	-	3/8 BLUE NEPTUNE HOSE 3000 (20")
17	2214P66	1	45DEG.ST.ELBOW 3/8MPTX3/8FPT
18	PFN204906	1	3/8HOSEX3/8MPT SOLID FEM STEM*
B	PFN506500	1	3/8 HOSE FERRULE
C	TH6400650-25	-	3/8 BLUE NEPTUNE HOSE 3000 (25")
19	TP500220	1	UNLOADER BRACKET
20	FW3010450	1	1/4 SAE WASHER 18-8 S/S
21	216P64	1	REDUCER 3/8X1/4
22	2201P44	1	45 DEG. FEMALE ELBOW 1/4 FPT
23	125HBL84	1	HOSE BARB1/2 HOSEX 1/4 MPT
B	ID62020	1	5/16 S/SBAND 1/4HEX HD.1/4-5/8
C	TH6400450-48	-	1/4" BLUE NEPTUNE 3000 (48")
24	2202P66	1	90DEG.STREET ELBOW 3/8MPTX3/8F